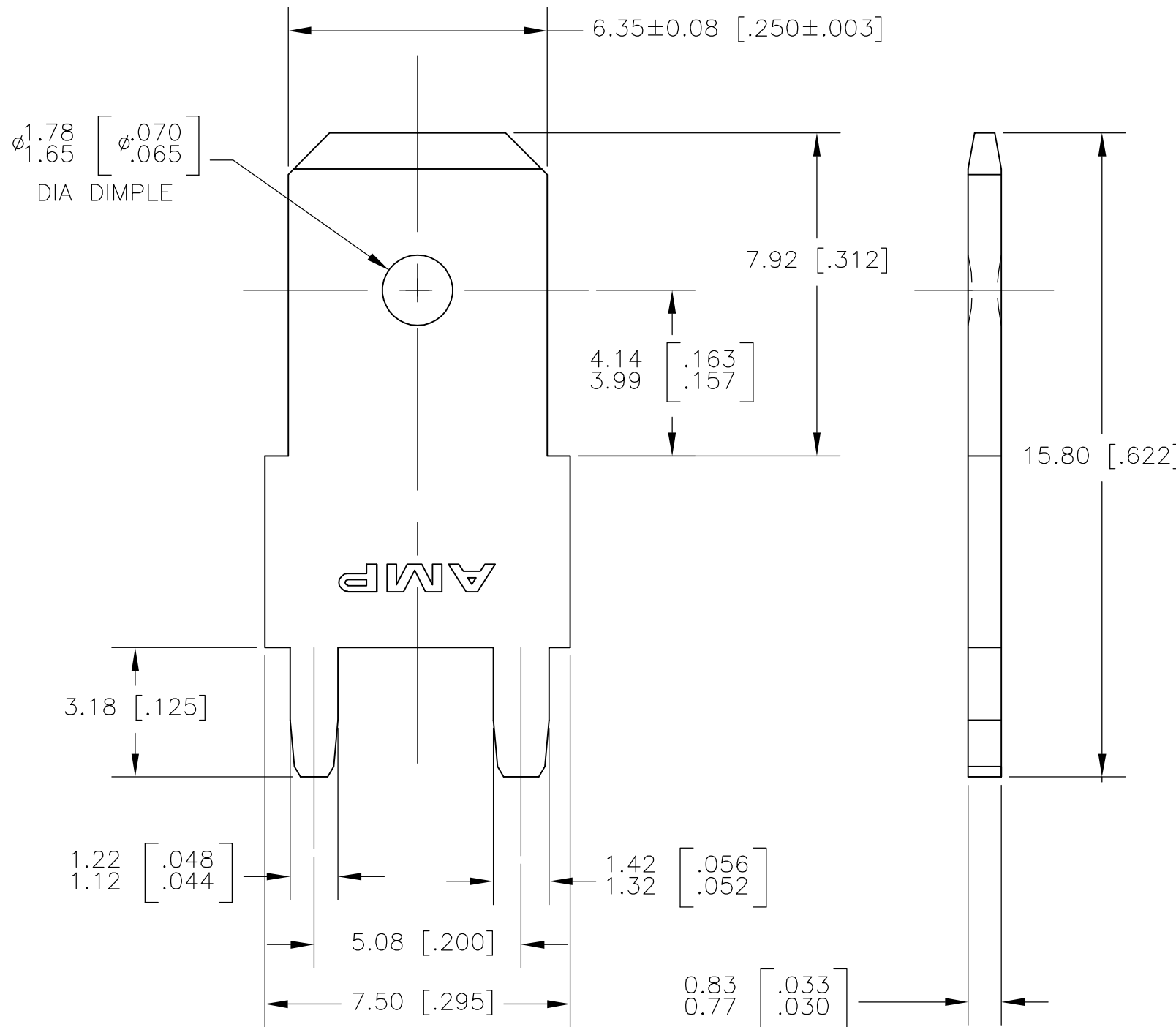


THIS DRAWING IS UNPUBLISHED. RELEASED FOR PUBLICATION --  
 © COPYRIGHT BY TYCO ELECTRONICS CORPORATION. ALL RIGHTS RESERVED.

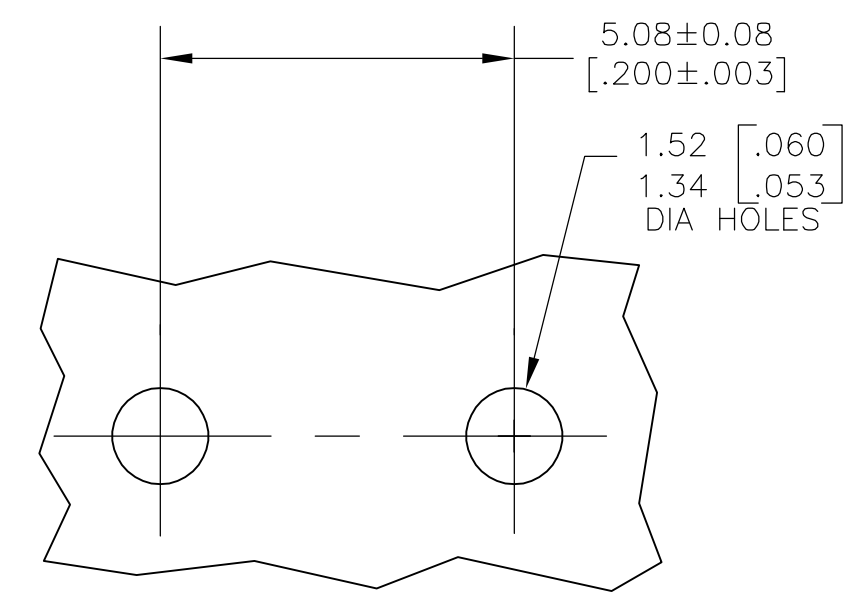
LOC		DIST		REVISIONS					
AF		50		P	LTR	DESCRIPTION	DATE	DWN	APVD
				R		REV PER ECR-05-017407	14APR06	HMR	KR

D

D



- 1 SUPPLIED IN LOOSE PIECE.
- △2 0.00381 [.000150] MIN TIN OVER  
0.00254 [.000100] MIN THK COPPER.
- △3 0.00381 [.000150] MIN SILVER OVER  
0.00254 [.000100] MIN THK COPPER.
- △4 SPECIAL PACKAGING QUANTITY
- △5 PRELIMINARY - NOT FOR PRODUCTION



P.C. BOARD HOLES  
SCALE 10:1

	△2	△4	9-62409-1	△5
OBSOLETE	△3		62409-3	
OBSOLETE			62409-2	
	△2		62409-1	
FINISH			PART NUMBER	

C

C

B

B

A

A

THIS DRAWING IS A CONTROLLED DOCUMENT.		DWN	JR RUTH	30NOV00	<b>tyco</b> <b>Electronics</b>	Tyco Electronics Corporation Harrisburg, PA 17105-3608					
DIMENSIONS: mm [INCHES]		CHK	MS FEHER	30NOV00		NAME					
TOLERANCES UNLESS OTHERWISE SPECIFIED:		APVD	G PORTA	30NOV00	TAB, FASTON, PC BOARD, 6.35 [.250] SERIES						
0 PLC ± - 1 PLC ± - 2 PLC ± 0.38 [.015] 3 PLC ± - 4 PLC ± - ANGLES ± -		PRODUCT SPEC				SIZE	CAGE CODE	DRAWING NO	RESTRICTED TO		
MATERIAL	082 BRASS	FINISH	SEE TABLE			A3	00779	C-62409			
CUSTOMER DRAWING						SCALE	8:1	SHEET	1 of 1	REV	R